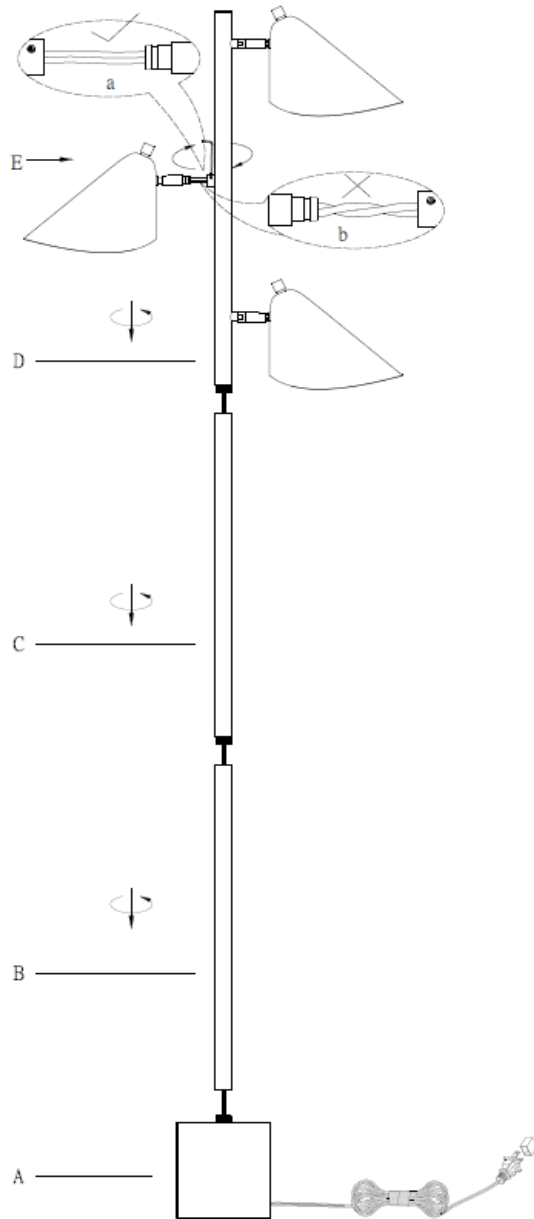


Carron Floor Lamp

Model#220488



1. Insert the shade (E) onto top base pole (D) and secure the connection by screwing in hex screw with allen wrench.
(Do not twist the cord when assembling)

2. Screw tube (D), (C) and (B) together until tight.
You may need to pull any excess cord gently through the base so that these two parts fit

3. Screw tube (B) onto base (A)

GENERAL PRODUCT INFORMATION:

This product is suitable for dry locations only.



IMPORTANT SAFETY INSTRUCTIONS:

This portable lamp has a polarized plug as a feature to reduce the risk of electric shock (one blade is larger than the other). This plug will fit in a polarized outlet only one way. If the plug does not fit fully in the outlet, reverse the plug. If it still does not fit, contact a qualified electrician. Do not use with an extension cord unless the plug can be fully inserted. **DO NOT ALTER THE PLUG .**

PARTS DIAGRAM:

(2)* HEX screw

(1)* Allen Wrench

URBAN BARN