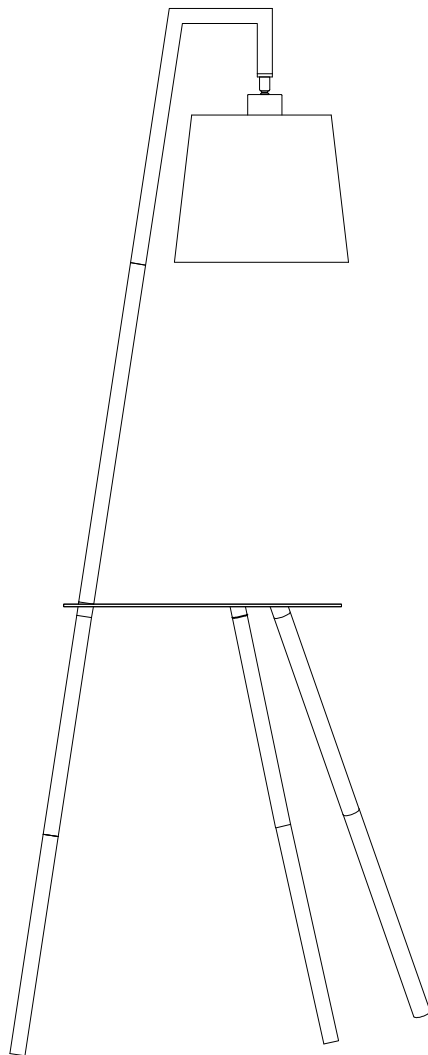


# URBAN BARN

## USE AND CARE GUIDE

---

216637 DIANNE FLOOR LAMP



# Table of Contents

---

Safety Information .....	2
Pre-Installation .....	3
Planning Installation .....	3
Package Contents .....	3
Assembly .....	4, 5, 6
Care and Cleaning .....	7
Troubleshooting .....	7

## Safety Information

---

- Consult a qualified electrician with any electrical questions you may have.


# Pre-Installation

## PLANNING INSTALLATION

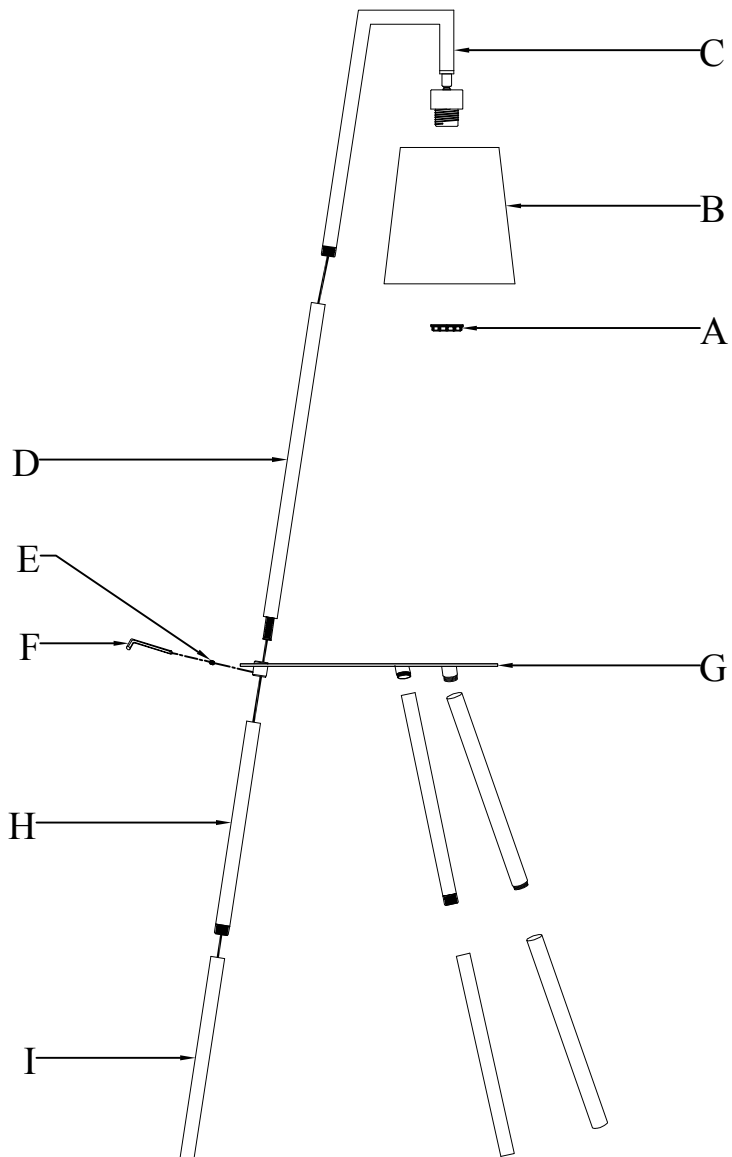
Read all instructions before assembly.

To avoid damaging this product, assemble it on a soft, non-abrasive surface such as carpet or cardboard. Inspect each part for defects that may have occurred during shipping.

Keep your receipt and these instructions for proof of purchase.

 NOTE: This lamp requires the use of one 120V, 60Hz, 100-Watt max, medium-base type A bulb (not included). Do not exceed the recommended wattage.

## PACKAGE CONTENTS



Part	Description	Quantity
A	Socket ring	1
B	Shade	1
C	Arm assembly	1
D	Pole	1
E	Set screw	1

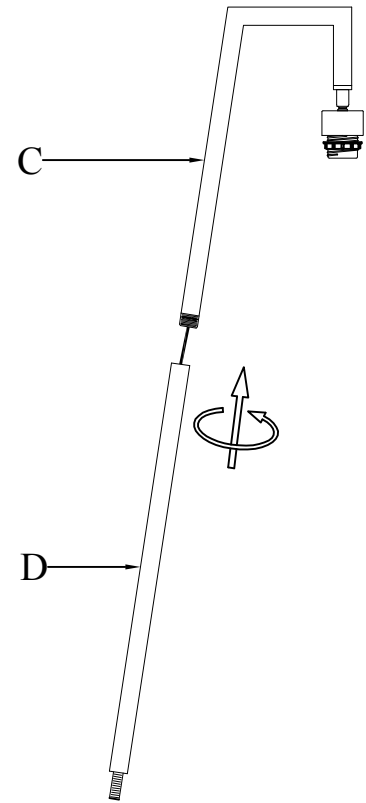
Part	Description	Quantity
F	Allen wrench	1
G	Metal tray assembly	1
H	Upper leg	3
I	Lower leg	3

# Assembly instructions

---

## 1. Unpack the lamp and assemble pole

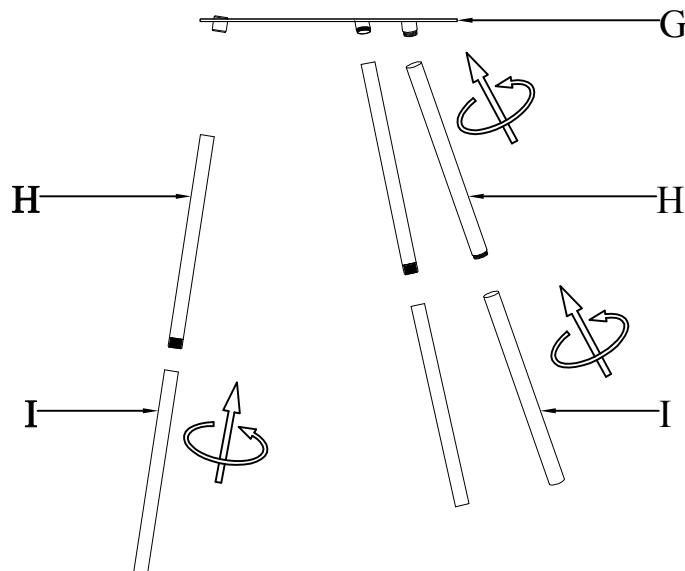
- Carefully organize and place all parts on a smooth, flat surface. line up all of the parts according to the assembly diagram.
- Screw pole (D) to bottom of the arm assembly (C).



---

## 2. Assemble the legs

- Screw the two upper legs (H) to bottom of the metal tray assembly (G).
- Screw the three lower legs (I) to bottom of the upper legs (H).

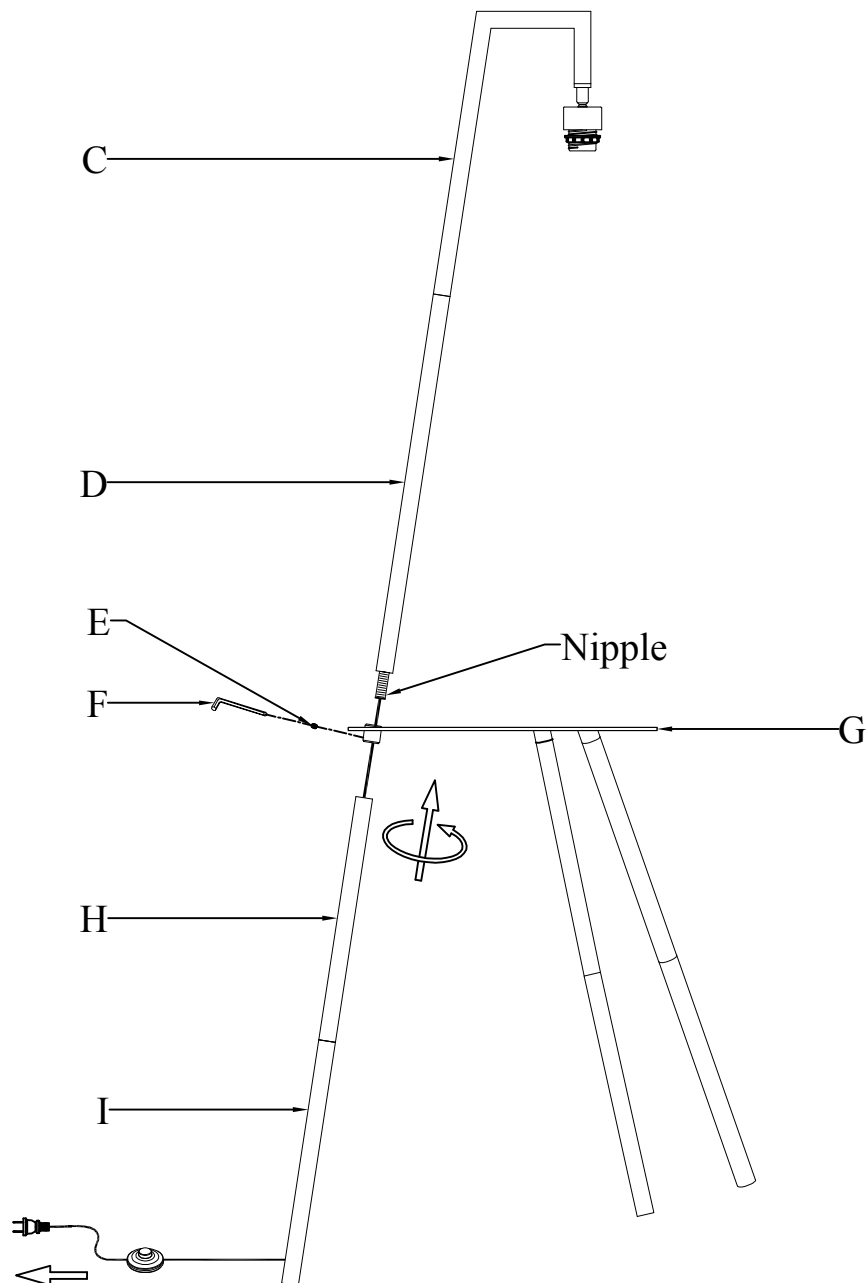


## Assembly instructions (continued)

---

### 3. Assemble the metal tray assembly and shade

- Pull the excess power cord through lower leg (I).
- Insert the nipple into the hole in metal tray assembly (G) and screw the upper leg (H) to end of the nipple to secure.
- Adjust the position of arm and socket to make sure the arm and socket face right as shown.
- Secure the pole (D) and arm assembly (C) to metal tray (G) with set screw (E) (Allen wrench (F) included)

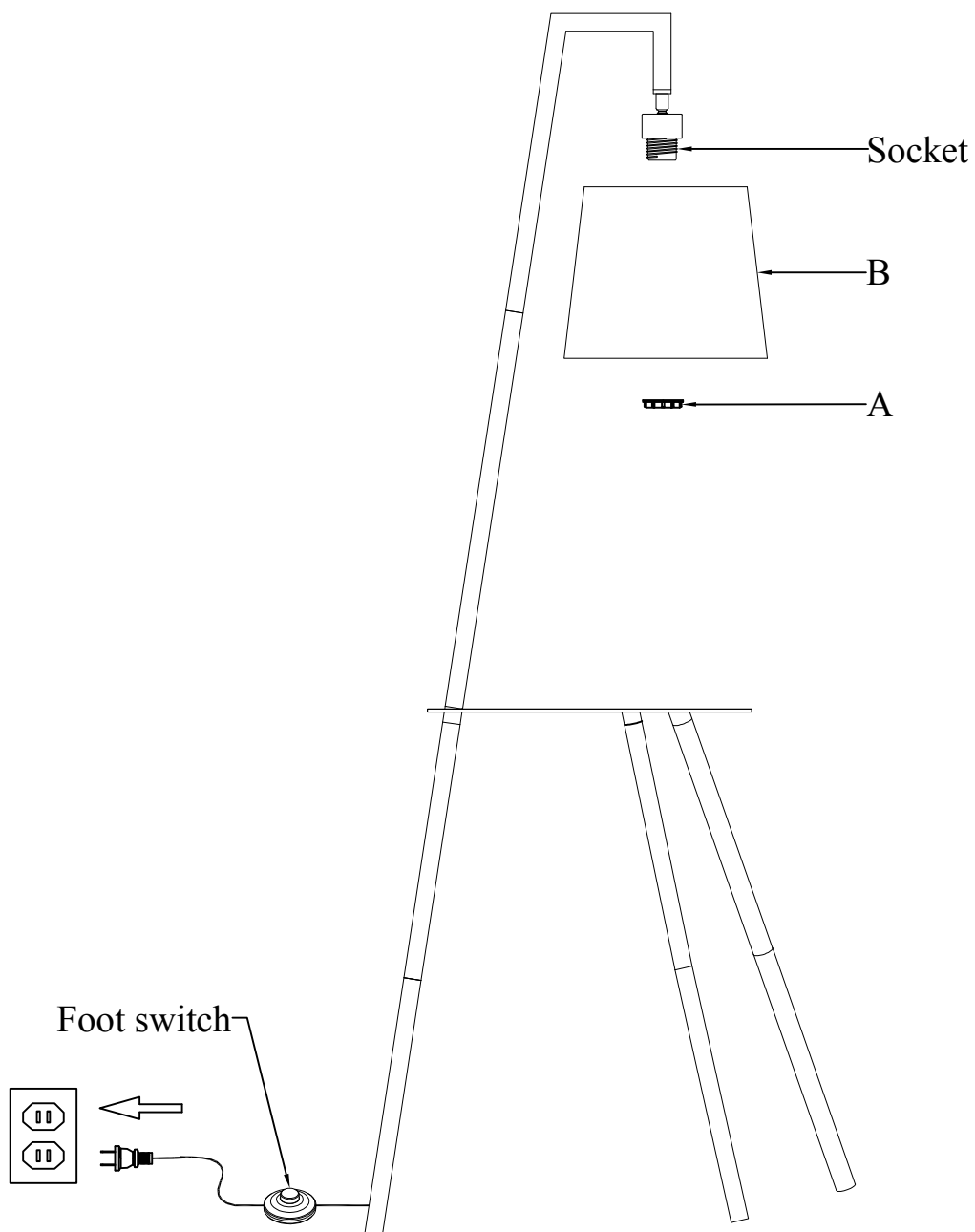


## Assembly instructions (continued)

---

### 4. Install the bulb

- Prior to installing the bulb, inspect socket for silica packet. If packet is present, then remove and throw away. Do not expose it to children or pets.
- Remove the socket ring (A) from socket by unscrewing the socket ring (A).
- Place the shade (B) over the socket and secure with socket ring (A).
- Install the 120V, 60Hz, 100-watt max. medium-base type A bulb (not included) into the socket of the light lamp.
- Plug cord into an outlet and turn on at the switch.



## Important safety instructions

This portable lamp has a polarized plug (one blade is wider than the other) as a feature to reduce the risk of electric shock. This plug will fit in a polarized outlet only one way. If the plug does not fit fully in the outlet, reverse the plug. If it still does not fit, contact a qualified electrician. never use with an extension cord unless plug can be fully inserted. Do not alter the plug.

## Care and Cleaning

Clean the lamp with a soft, dry cloth. Do not use any cleaners with chemicals, solvents, or harsh abrasives.

## Troubleshooting

Problem	Possible Cause	Solution
The bulb will not light.	<input type="checkbox"/> The bulb is burned out.	<input type="checkbox"/> Replace the light bulb.
	<input type="checkbox"/> The power is off.	<input type="checkbox"/> Ensure that the power supply is turned on.
	<input type="checkbox"/> Did not insert plug into power outlet.	<input type="checkbox"/> Ensure that the plug is fully and properly inserted into the power outlet.
	<input type="checkbox"/> The circuit breaker is off.	<input type="checkbox"/> Ensure that the circuit breaker is set in the on position.
The fuse blows or a circuit breaker trips when the light is turned on.	<input type="checkbox"/> There is an exposed wire. <input type="checkbox"/> There are too many items on one circuit.	<input type="checkbox"/> Discontinue use of the lamp. <input type="checkbox"/> Unplug other items on the circuit.

**URBAN BARN**