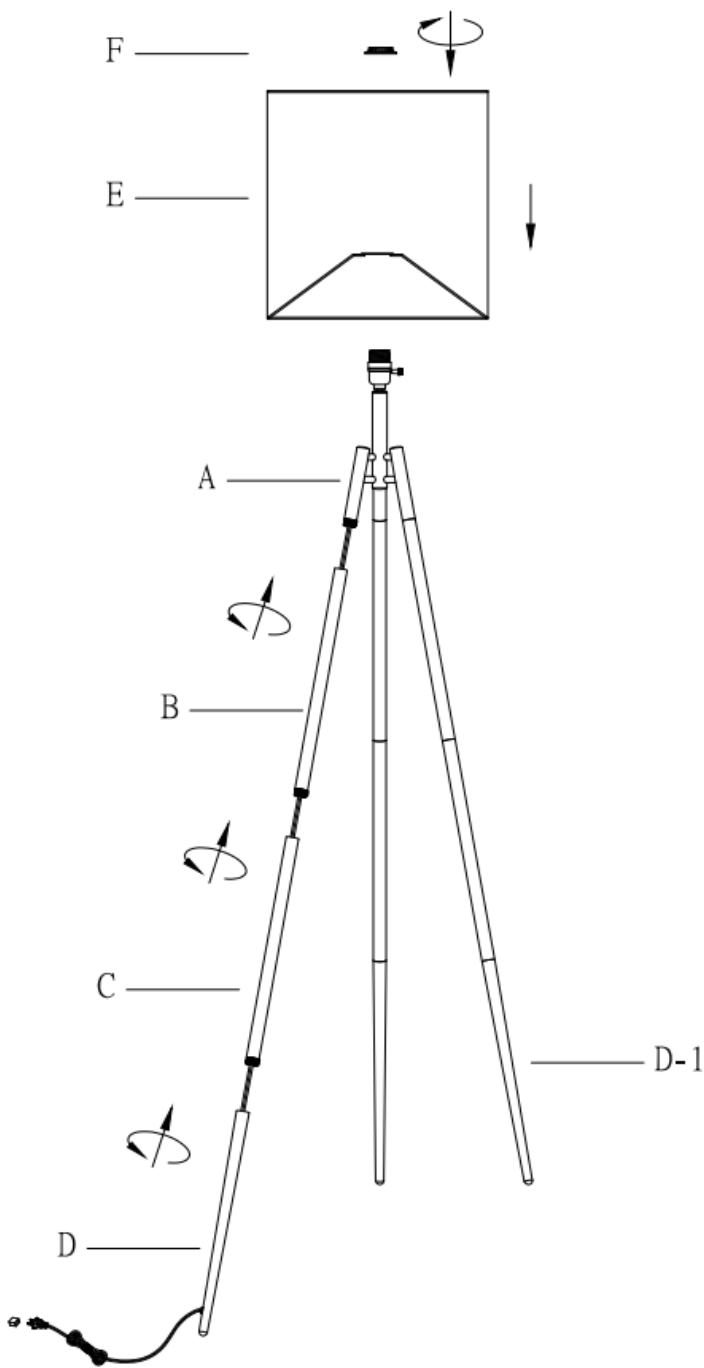


ASSEMBLY INSTRUCTION FOR
Pegg Tripod Floor Lamp
Model # 220490



1. Screw pole (A), (B),(C) and (D) together. You may need to pull any excess cord gently through the base so that these two parts fit.

3. Socket ring comes pre-assembled to the socket. Before placing the shade onto the socket, please unscrew this socket ring.

4. Place shade (E) onto socket and tighten it with socket ring (F).

GENERAL PRODUCT INFORMATION:

This product is suitable for dry locations only.



IMPORTANT SAFETY INSTRUCTIONS:

This portable lamp has a polarized plug as a feature to reduce the risk of electric shock (one blade is larger than the other). This plug will fit in a polarized outlet only one way. If the plug does not fit fully in the outlet, reverse the plug. If it still does not fit, contact a qualified electrician. Do not use with an extension cord unless the plug can be fully inserted. **DO NOT ALTER THE PLUG.**

BULB TYPE:

Use only with 1pc type A Max 100W bulb (not included).

*A three-way rotary switch on the socket controls a bulb up to 100 Watts or an equivalent LED. The 3-way rotary socket switch will only work with a 3-way light bulb, otherwise this lamp will function with simple on/off switch at its highest setting.

URBAN BARN