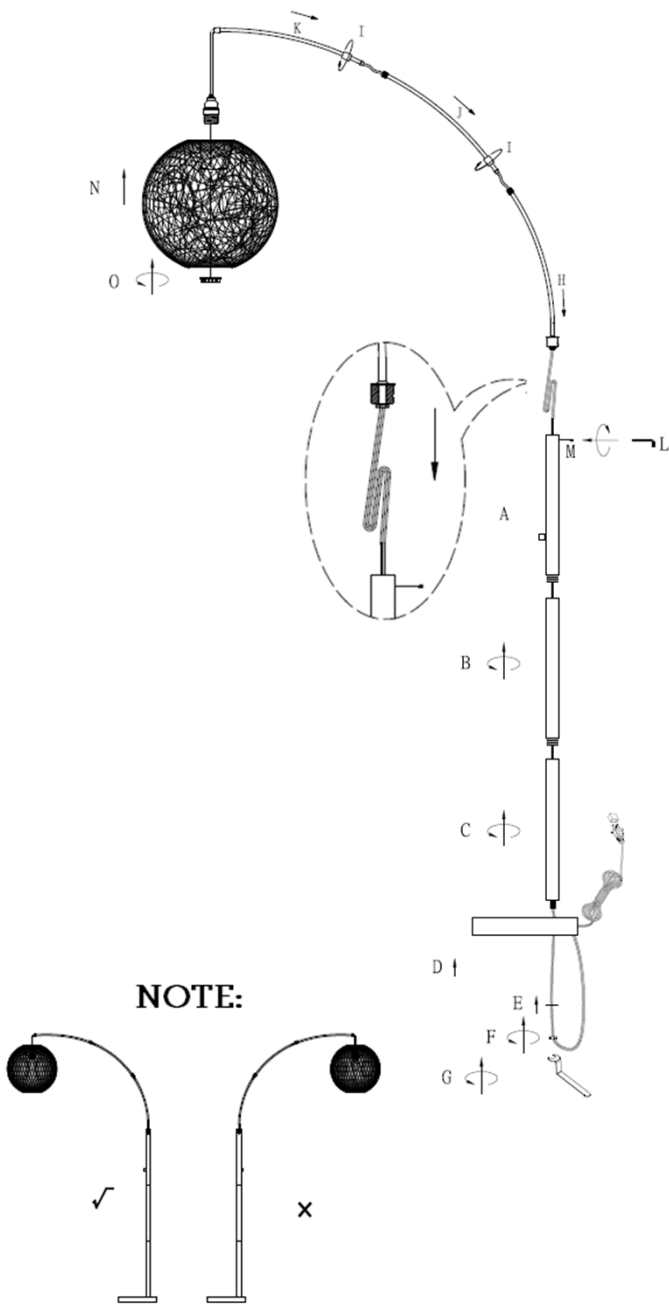


ASSEMBLY INSTRUCTION FOR

Alanna Floor Lamp

Model# 215357



Please begin assembly by laying all parts down on the ground. The arms are easiest to assemble if you assemble them first, before they are attached to the lamp body.

1. Assemble arc arms (H), (J) and (J) by placing the top arc tube into the bottom arc tube and securing each arm by tightening each metal collar joint (I). Simply slide joint (I) over the threaded tube and screw down to tighten. If you have trouble here, slightly lift up the upper arm to relieve the tension on the joint while screwing the parts together.

Attention: Be sure to align the consistency of the curve on the arm. Do not tighten the metal collar joints all the way yet. This way, when you set the arms onto the base later, you can get the arm curves perfect and then tighten the joints.

2. Fold the excess cord and insert into tube (A).

3. Place the curved tube (H) onto tube (A), then tighten it using hex screw (M) with allen wrench (L).
Note: The Arc lamp should face forward with the arm reaching over the base (see diagram below). Now you can make sure the arm curves are aligned and tighten the joints.

4. Screw tube (A), (B) and (C) together until tight.

5. Insert tube (C) into base (D) & washer (E), then tighten it with nut (F) using wrench (G).

6. Socket ring (O) comes pre-assembled to the socket. Before placing the shade onto the socket, please unscrew this socket ring.

7. Place shade (N) onto socket holder and turn the socket ring (O) until tight to secure shade.

GENERAL PRODUCT INFORMATION:

This product is suitable for dry locations only.



IMPORTANT SAFETY INSTRUCTIONS:

This portable lamp has a polarized plug as a feature to reduce the risk of electric shock (one blade is larger than the other). This plug will fit in a polarized outlet only one way. If the plug does not fit fully in the outlet, reverse the plug. If it still does not fit, contact a qualified electrician. Do not use with an extension cord unless the plug can be fully inserted. **DO NOT ALTER THE PLUG.**

BULB TYPE: type A Max 100W bulb (bulb not included).

PARTS DIAGRAM:

(1)* HEX screw (M)

(1)* Allen Wrench (K)

(1)* Wrench(G)