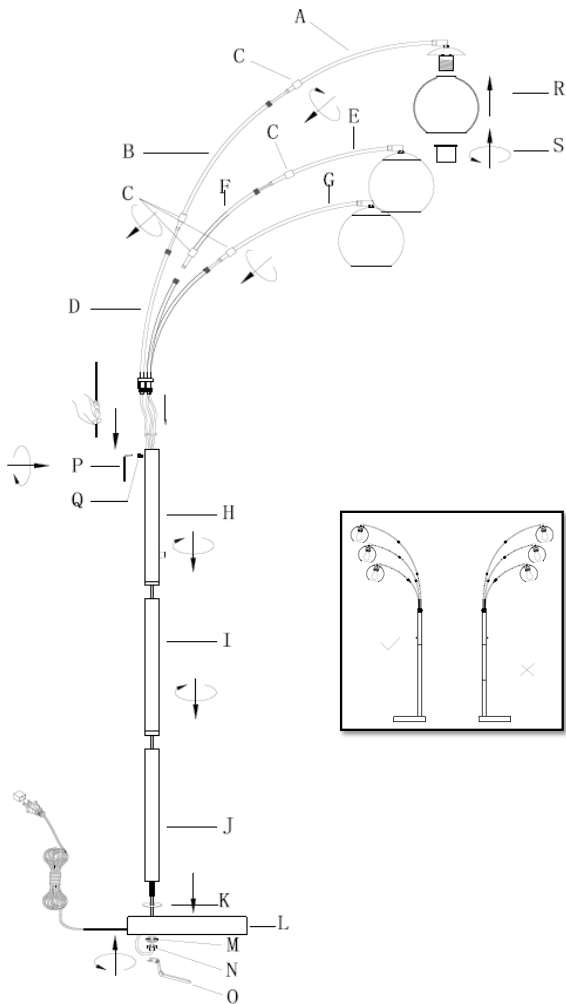


ASSEMBLY INSTRUCTIONS FOR

Cabot Floor Lamp

Model# 217971



Please begin assembly by laying all parts down on the ground. The arms are easiest to assemble if you assemble them first, before they are attached to the lamp body. Please read all instructions before beginning to assemble the lamp.

1. Assemble arc arms (A),(B), (E), (F),(G) and (D) by placing the top arc tube into the bottom arc tube and securing each arm by tightening each metal collar joint (C). Simply slide joint (C) over the threaded tube and screw down to tighten. If you have trouble here, slightly lift up the upper arm to relieve the tension on the joint while screwing the parts together.

Attention: Be sure to align the consistency of the curve on each arm. Do not tighten the metal collar joints all the way yet. This way, when you set the arms onto the base later, you can get the arm curves perfect and then tighten the joints.

2. Fold the excess cord and insert into tube (H).

3. Place part (D) into tube (H), then tighten using 2 * hex screw pieces (Q) with provided allen wrench (P). Be sure the curved arm is facing the same direction as the switch when tightening the hex screws.

4. Screw tube (H),(I) and (J) together until tight

5. Insert tube (J) into washer (K), base (L) & washer (M), then tighten it with nut (N) using wrench (O) from the bottom of the base. You may need to pull any excess cord gently through the base.

Note: The Arc lamp should face forward with the arms reaching over the base (see diagram below). Now you can make sure the arm curves are aligned and tighten the joints.

6. Socket rings (S) comes pre-assembled to the socket. Before placing the shades onto the sockets, please unscrew these socket rings. Place shades (R) onto socket and tighten it with socket ring (S). It is easiest to assemble the shade when you loosen the shade joint and face it upwards.

7. Now you can stand up the assembled lamp.

GENERAL PRODUCT INFORMATION:

This product is suitable for dry locations only.



IMPORTANT SAFETY INSTRUCTIONS:

This portable lamp has a polarized plug as a feature to reduce the risk of electric shock (one blade is larger than the other). This plug will fit in a polarized outlet only one way. If the plug does not fit fully in the outlet, reverse the plug. If it still does not fit, contact a qualified electrician. Do not use with an extension cord unless the plug can be fully inserted. **DO NOT ALTER THE PLUG.**

BULB TYPE: Use only with maximum of 3*40 watt incandescent bulbs or 3*LED or CFL equivalent bulbs. All 3 bulbs must be identical (wattage and incandescent or LED or CFL). Bulbs not included.

A note on packaging:

Due to the fragile nature of this product, we have chose to use Styrofoam only where it is needed to protect it and deliver the best quality product to our customer. We are aiming to reduce the use of plastic and styrofoam in the packaging of our products where possible and are investigating more environmentally friendly alternatives to use. We hope you enjoy your purchase!

PARTS DIAGRAM

(1) * Screw (Q) (1) * Allen wrench (1) *Wrench(O) (3)* Socket ring(S)